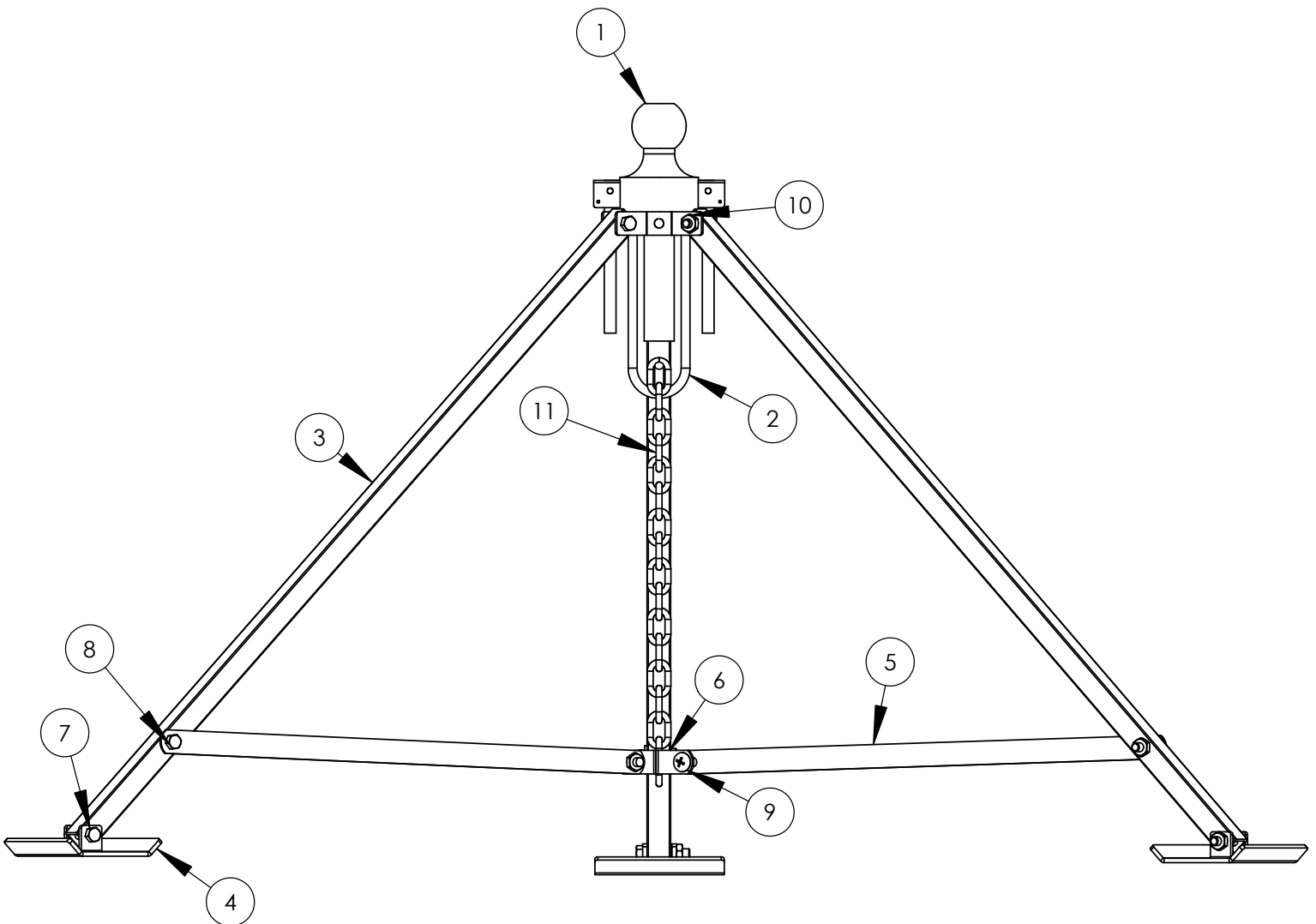


NO.	QTY.	PART #	DESCRIPTION
1	1	19-001057	GOOSENECK BALL
2	1	19-001055	BRACKET-LEG
3	3	19-001058	LEG
4	3	19-001051	FOOTPAD
5	3	19-001052	ARM
6	1	19-001053	BRACKET-CONNECTING
7	3	19-001020	BOLT-1/2-13 X 1 1/2" HEX
8	6	19-001019	BOLT-1/2-13 X 1 1/2" HEX
9	3	19-001018	BOLT-3/8-16 X 1" TRUSS
10	12	38-020090	NUT-3/8-16 NYLOCK
11	1	19-001059	CHAIN

Ultra-Fab Products Inc.
19-950400
Gooseneck Tripod



Thank you for purchasing the **Alumilite GOOSE NECK Tripod.**

It was a wise purchase, and I'm sure it will provide you with many years of service.

Assembly instructions

Most of the assembly has been completed for you, however you will need To attach a foot pad, the connecting pin is provided.

How to Use

To use your Alumilite Goose Neck Tripod, hold the chain in one hand, and position the tripod below the Hitch Coupler of your coach. Pull up on the chain lifting the ball up into the coupler. Hook the chain link over the pin welded to the leg bracket. Turn the handle of the cup counter clockwise until the ball is snug in the coupler. Two or three additional turns are normally sufficient for stabilization.

To lock, latch the trailer coupler on to the goose neck ball and secure with pad lock (not supplied).

Your King pin tripod is now stable and secure.