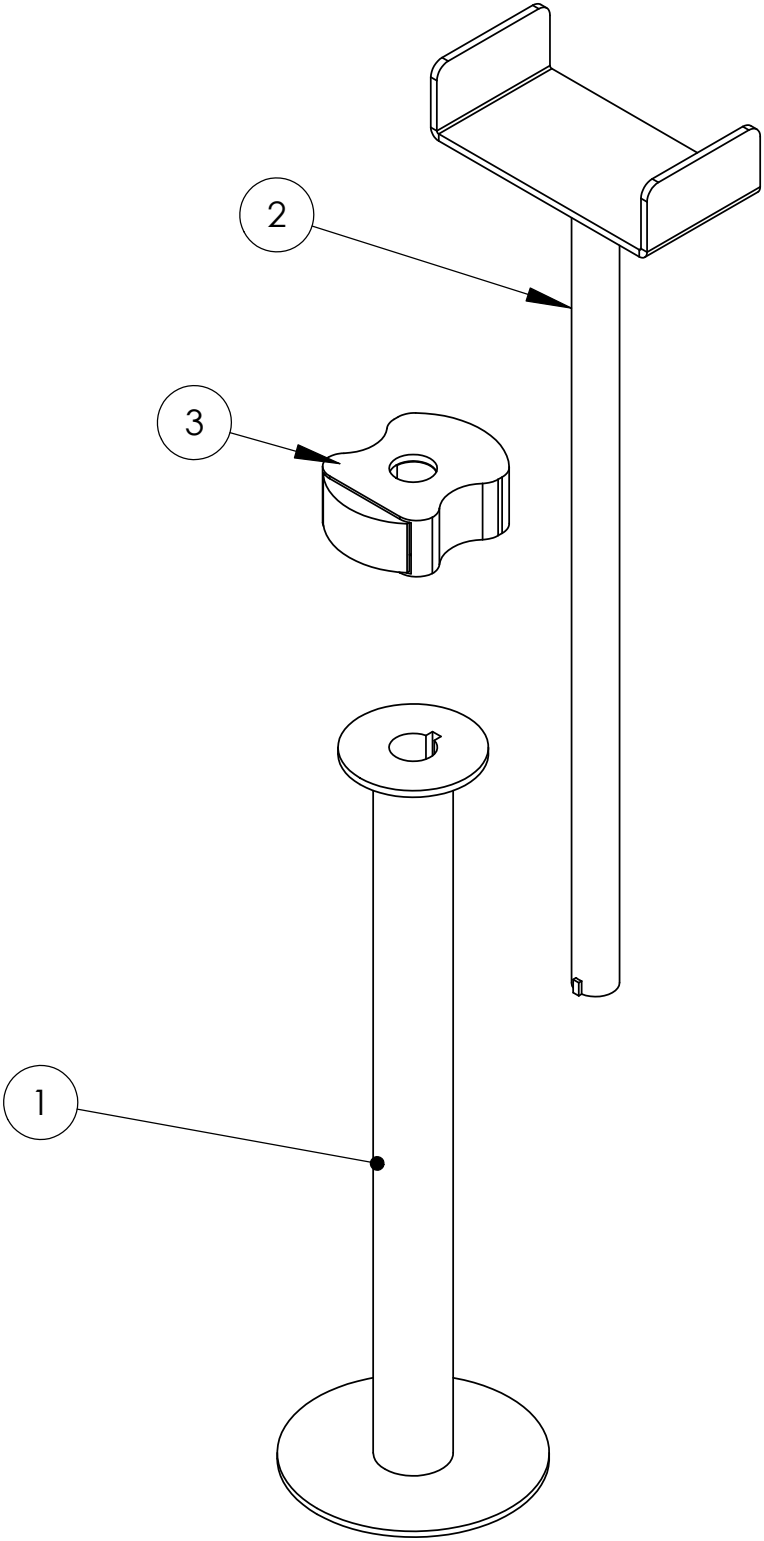


19-960001 QS1628 SLIDEOUT SUPPORT

ITEM NO.	PART NUMBER	DESCRIPTION	QTY.
1	19-001065	TUBE-MAIN ASSEMBLY SMALL	1
2	19-001064	JACKSCREW ASSEMBLY SMALL	1
3	19-001070	HANDLE-NUT ASSEMBLY	1



Slide Out Quick Support

Thank you for purchasing the Ultra-Fab **Quick Support**
It was a wise purchase, and we are sure it will provide
you with many years of service.

How To Use

The slide out **Quick Support** is very easy to use!

Place the **Quick Support** under the slide out, with one hand press the white button and with the other lift the channel support up to the slide out frame. Making sure that the channel support straddles the frame member. Turn the handle clock wise until snug. Once snug give it an additional turn.

Our goal is to support not lift.

The removal of the **Quick Support** is just as easy!
Turn the handle counter clock wise, (lowers the channel support) lower it enough that you can get the stabilizer out from under the slide out. To collapse the **Quick Support**, holding the channel support while pushing the white button and lower.
It is now ready for storage.