

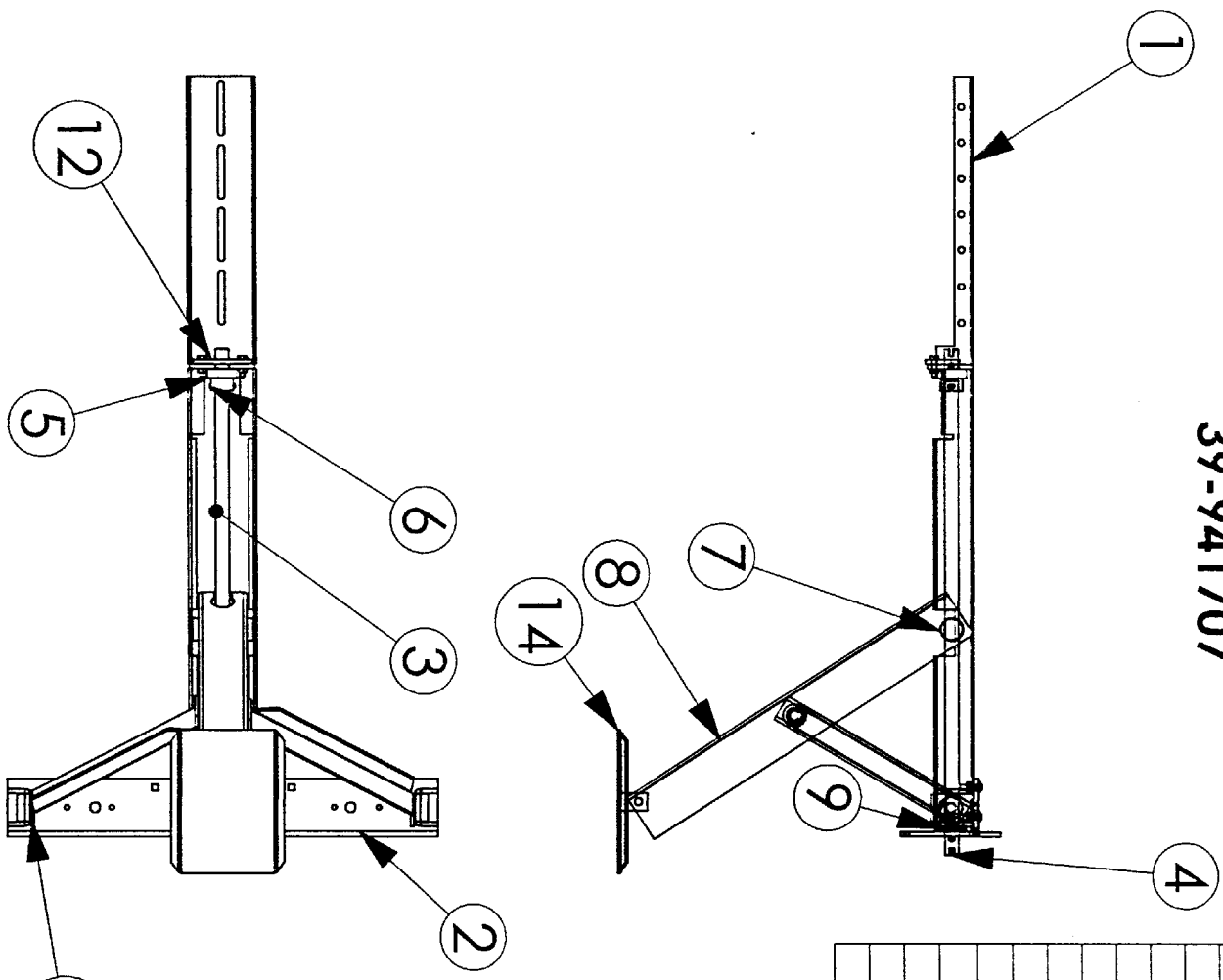
# **22" POWER TWIN II ASSEMBLY INSTRUCTIONS**

**STEP 1:** Measure the outside width of the main frame of your RV. Now lay out the (2) Power Twin assemblies and adjust the inside distance between the (2) mounting plates to the same as the outside dimension of your RV frame. Take connecting bracket part #39-841642 and position it over the (2) side by side main channels (item 1). Bolt parts together using (8) 5/16"-18 x 1 hex head bolts with washers and nylock nuts. Do not tighten at this time.

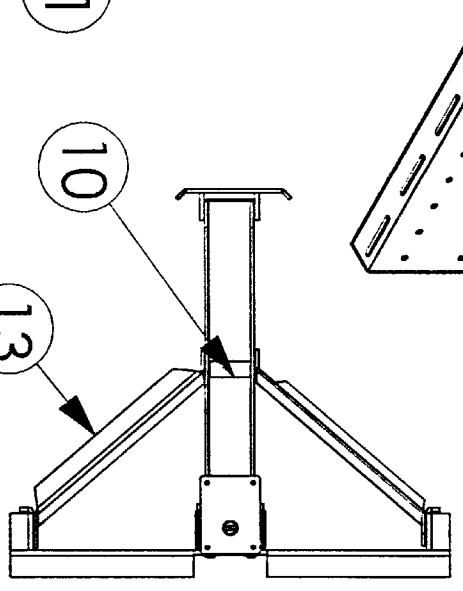
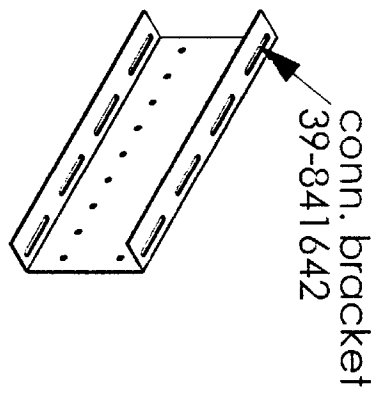
**STEP 2:** Now attach the Power Twin II assembly to the frame by using the holes provided in the mounting plate (item 2) and (6 on each side) 3/8"x1 1/4" hex head bolts and nuts or 3/8" hex head tec screws (not included). Do not use any fasteners smaller than 3/8"!

**STEP 3:** To finish assembly, now go back and tighten the (8) bolts and nuts at the connecting bracket part # 39-841642. You are now ready to wire the switches to your motor assemblies and connect to the 12 volt power supply.

Ultra-Fab Products Inc.  
 22" Powerwin 2  
 39-941707



ITEM NO.	PART NUMBER	DESCRIPTION	QTY.
1	39-841660	CHANNEL-MAIN	1
2	39-841659	PLATE-MOUNTING	1
3	39-841658	JACKSCREW	1
4	17-741051	COLLAR-DRIVE	2
5	39-143463	BEARING-THRUST	1
6	17-741064	PIN-ACME SCREW	2
7	39-741606	NUT-BARREL	1
8	39-841661	LEG	1
9	17-113402	WASHER-13/16	2
10	39-841655	SPACER-LEG	1
11	39-114006	WASHER-3/4" NYLON	4
12	39-841652	PLATE-RETAINING	1
13	39-841657	ARM	2
14	39-841654	FOOT PAD	1



# Power Twin II Motor Installation

- 1) Attach the motor and gear box assembly to the Power Twin II with the (4) ¼-20 x 4 ½ hex screws making sure the gasket is between the motor cover and the gear box. **Make sure that the wires come out the bottom side of the motor cover. (Toward the foot pad when installed)**
- 2) The switches may be mounted at any desired location, but a preferred location would be in a protected environment, such as a storage compartment or switch box. (The goal is to be child-proof as well as weather-proof)
- 3) **Caution:** To avoid short circuits, remove the fuse from the fuse holder until the wiring is complete.

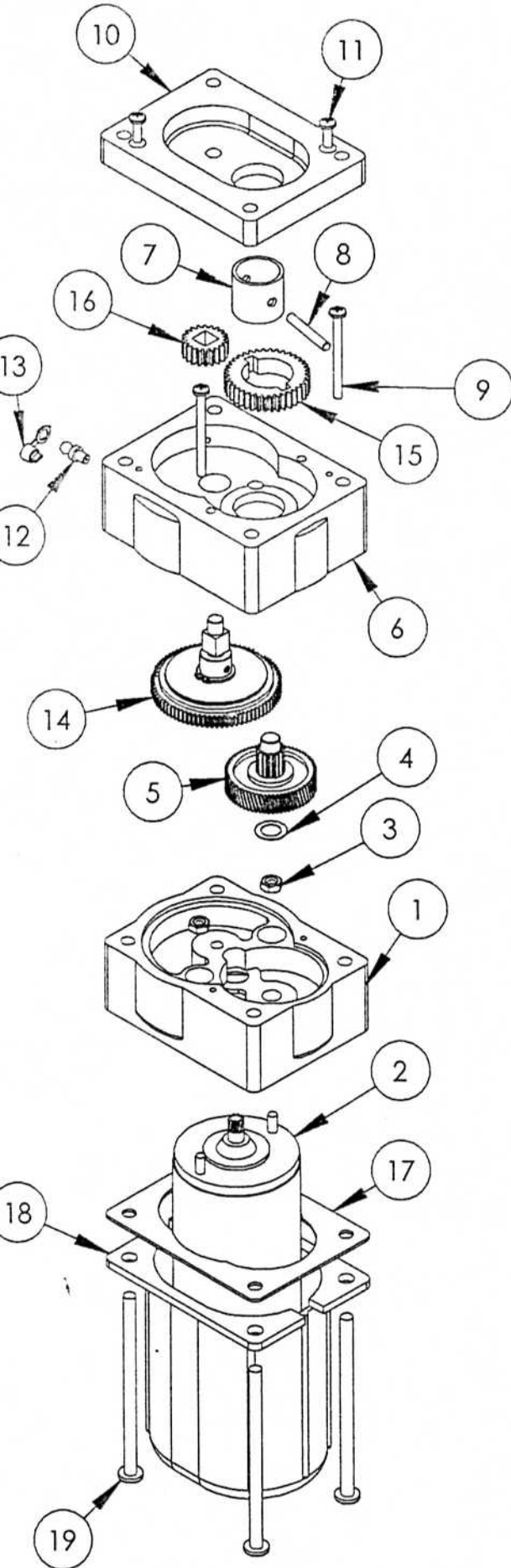
Use 10 gage wires for the install. Using a smaller gage wire will void the warranty.

Join all wire connections with solder connections or crimp type connection. **“DO NOT”** use wire nuts, they tend to loosen and fall off.

- 4) Connect the green wire to the negative terminal of the battery, or securely ground it to the frame. (a clean paint free area)
- 5) Connect the white wire to the positive terminal of the battery, or the nearest positive terminal block. Make sure to install the fuse holders on this white wire, one on each switch. If running more than 15 ft of wire to access the battery, use a larger wire, such as a # 4 gauge wire. This will assure maximum performance.
- 6) Connect the black wire from the motor to the black wire of the switch. Connect the red wire from the motor to the red wire of the switch. (On each motor)
- 7) Replace the fuse (3AG 30 amp Slow Blow) and test the Power Twin II, one leg at a time. Check to see that the switches are wired in a logical relationship. (Up on the switch raises the jack leg, down lowers the jack leg)

# POWERTWIN II

## MOTOR ASSEMBLY EXPLODED VIEW



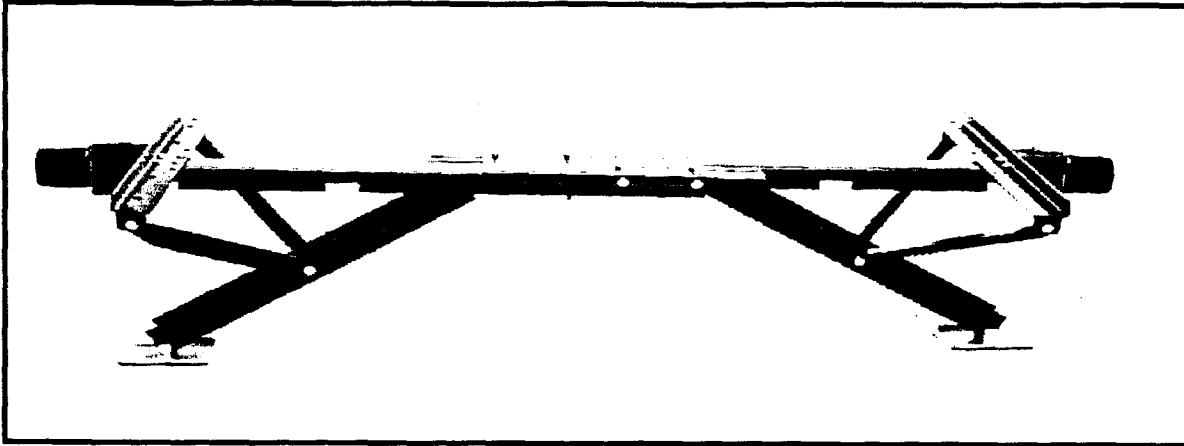
NO.	PART NO.	DESCRIPTION
1	17-741069	MOTOR HOUSING
2	17-840016.001	MOTOR
3	17-113303	#10-32 NUT
4	17-141010.008	WASHER
5	17-840028	NYLON GEAR ASSY
6	17-741032	CLUTCH HOUSING
7	17-741023	DRIVE SLEEVE
8	17-741021	DRIVE PIN
9	17-Y-12925	#8 X 2" SCREW
10	17-741042	HOUSING PLATE
11	17-Y-12926	#8 X 1/2" SCREW
12	17-143230	GREASE FITTING
13	17-143231	GREASE CAP
14	39-840006.003	CLUTCH
15	39-741413	DRIVE GEAR
16	39-741414	GEAR
17	17-141008.003	GASKET
18	39-741622	MOTOR COVER
19	17-113369	1/4-20 X 4.25" BOLT

**IMPORTANT: DO NOT OPERATE THE POWER TWIN II BEFORE READING**

**INSTRUCTIONS FOR USE**



**POWER TWIN II 12 VOLT STABILIZER**



**THE PRIMARY PURPOSE** OF YOUR POWER TWIN II IS TO PROVIDE ROCK SOLID STABILIZATION FOR MAXIMUM COMFORT WHILE USING YOUR RV IN A PARKED POSITION. TO OBTAIN THIS DESIRED END RESULT AND ELIMINATE THE POSSIBILITY OF DAMAGE TO YOUR RV OR THE POWER TWIN II, IT IS VERY IMPORTANT TO FOLLOW THESE STEP BY STEP INSTRUCTIONS.

THE POWER TWIN II WILL ASSIST YOU IN FINAL LIFTING & LEVELING, BASED ON GRAPH #1, WHICH SHOWS LBS OF LIFT IN RELATION TO THE GROUND CLEARANCE FROM THE BOTTOM OF THE FRAME.

BY MEASURING THE GROUND CLEARANCE ON YOUR RV YOU CAN DETERMINE THE MAXIMUM AMOUNT OF LIFT YOUR POWER TWIN II WILL PROVIDE FOR FINAL LEVELING.

**NOTE: THE LBS OF LIFT INCREASES AS THE DISTANCE, FROM GROUND TO FRAME, INCREASES. (SEE CHART #1 ON REVERSE SIDE)**

**CAUTION: DO NOT LIFT THE RV BY OVER EXTENDING THE POWER TWIN II LEGS. THIS COULD RESULT IN RV DOOR RACKING OR DAMAGE TO THE RV FRAME OR**

**POWER TWIN II**

**! SAFETY AND DAMAGE WARNING !**

**CAUTION: ALWAYS FOLLOW "THESE INSTRUCTIONS FOR USE" TO PREVENT DAMAGE TO YOUR RV AND TO PREVENT PERSONAL INJURY.**



ULTRA-FAB PRODUCTS - 57985 State Rd 19 South - Elkhart, in 46517

PH:574-294-7571 FAX: 574-294-4980



# POWERTWIN II INSTRUCTIONS FOR USE ( MODELS PT 22&30)

## TRAVEL TRAILERS OR 5<sup>TH</sup> WHEELS

- STEP 1** Chock your wheels and level your RV from front to back by using your tongue jack or landing gear.
- STEP 2** Determine with your level which side of your RV is the lowest and extend the jack(s) on that side until your RV is level. See chart #1 below for lifting power.
- STEP 3** Now extend the jack(s) on the opposite side of the RV until they touch the ground firmly. Your RV is now in its most stable position.
- STEP 4** You can retract all the jacks simultaneously.

## MINI-MOTORHOMES

- STEP 1** Set your Brakes
  - STEP 2** Extend the jack on the low side of your Mini until the rear is level.
  - STEP 3** Now extend the opposite side until it touches the ground firmly. Your RV is now in its most stable position.
- CAUTION: ALWAYS RETRACT POWERTWIN II BEFORE DEPARTING**

