



57985 State Road 19, South
Elkhart, Indiana 46517
PH: (800) 860-7571
FX: (800) 860-4980
www.ultra-fab.com

Ultra-Fab

RV BUMPER RECEIVER ADAPTER

35-946401


INSTALLATION

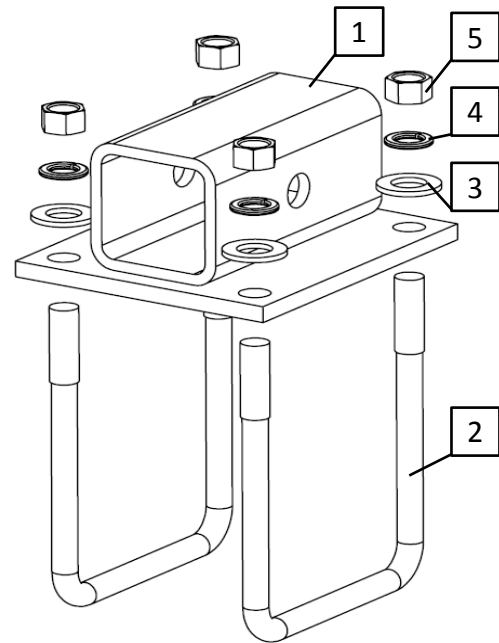
THE RV BUMPER RECEIVER ADAPTER can only be mounted to a continuous steel welded bumper. If you are not sure the bumper is continuous steel welded please contact your RV Dealer.

POSITION the RV Bumper Receiver Adapter on the **TOP** of the 4" square bumper.

TIGHTEN the U-bolts as follows:

1. **Snug** all nuts using flat washers and lock washers. (Order sequence: flat washer, split washer, nut – see illustration.)
2. **Tighten** the four nuts starting with the **two nuts closest to you**, then follow with the **two nuts closest to the RV**. Tighten evenly to 30 foot pounds (dry) or 15 foot pounds (lubed).
3. **Tighten** to full **TORQUE SPECIFICATION** (see bottom right chart) again starting with the **two nuts closest to you**, then following with the **two nuts closest to the RV** – continue in this manner until full torque is reached.
4. **Recheck** all of the bolts for proper torque. You will notice you will have to do this several times in order to hold the proper torque specification.
5. **You will also notice** the side of the bumper tube will bulge. This is normal.

There is a **CAUTION** symbol sticker  on the side of the RV Bumper Receiver Adapter to remind you to recheck the torque on the U-bolts periodically.



WARNINGS

•**DO NOT USE FOR TOWING.**

•**DO NOT EXCEED MANUFACTURERS BUMPER RATING OR 200 POUNDS – WHICHEVER IS LESS.**

•**NOT FOR USE ON DECORATIVE ALUMINUM BUMPER COVERS.**

•**THIS RV BUMPER RECEIVER ADAPTER** is designed for typical use and applications on paved or smooth gravel roads. Do not use this RV Bumper Receiver Adapter on a trailer that will be driven on rough roads or where an installed bicycle rack and bicycles or other items will be subject to significant or constant jarring and/or shock, or any trailer with very stiff springs that will transfer the load shock directly to the RV Bumper Receiver Adapter, installed bicycle rack and bikes, or other items.

•**THE PURCHASER** should be aware that the load created by bicycles racks and bicycles and other items installed into the RV Bumper Receiver Adapter may exceed the maximum rating on the RV Bumper Receiver Adapter or bumper.

•**PROPER FITTING** and installation of this RV Bumper Receiver Adapter to your trailer bumper is critical, and is not the manufacturer's responsibility.

•**IMPROPER USE** of this RV Bumper Receiver Adapter may result in damage to your bicycle rack and bicycles or other items, your trailer, and even to other vehicles driving behind you as the result of colliding with or trying to avoid fallen bicycles or other items installed into the RV Bumper Receiver Adapter.

•**PURCHASER IS ADVISED** that the load created by items installed (i.e. bicycles) may exceed the strength of the trailer or 5th Wheel bumper or other mounting location. Failure through improper mounting will void the RV Bumper Receiver Adapter warranty.

•**EXCESSIVE MOVEMENT** can cause damage to items (bicycle racks) installed into the RV Bumper Receiver Adapter. This is not covered by warranty. Pull the bicycle rack or other item installed in the RV Bumper Receiver Adapter back and forth and if there is excessive movement secure the bicycle rack, bicycles, or other items with a tether strap.

ILL #	QTY	DESCRIPTION
1	1	Receiver
2	2	½-13 U-Bolt
3	4	½ Washer
4	4	½ Lock Washer
5	4	½-13 Nut

TORQUE SPECIFICATIONS FOR U-BOLTS

- 60 foot pounds (dry threads)
- 38 foot pounds (lubed threads)

IT IS VERY IMPORTANT TO TIGHTEN THE BOLTS TO THE PROPER TORQUE.





Ultra-Fab Products, Inc.

ONE-YEAR LIMITED WARRANTY

ECONOMY MANUAL 5TH WHEEL LANDING LEGS AND MOTOR/SWITCH, KING PIN SHROUD, 5TH WHEEL PIN BOXES, RV BUMPER RECEIVER ADAPTER, UNIVERSAL HITCH, ACCESSORY ADAPTER, RV HITCH ADAPTER, RECEIVER TUBES, DUAL HITCH ADAPTER, TAIL LIGHT CONVERTERS, TONGUE JACK COVER, POWERTWIN, ECONOMY REAR ELECTRIC STABILIZER, UNIVERSAL TIE DOWN STRAP, ACCESS DOORS, SKID WHEELS, STEEL ROLLERS, CARGO HAULERS, BIKE RACK ACCESSORY, MX HAULER, ULTRA-GEN GENERATORS, MINI SOLAR PLUMBING VENT

THE MANUFACTURER NAMED BELOW MAKES THE FOLLOWING WARRANTY WITH RESPECT TO THE ABOVE ULTRA-FAB PRODUCTS

- This Warranty is made only to the first Purchaser (hereinafter called the "Original Purchaser") who acquires this product for their own use.
- This Warranty will be in effect for one year from the date of purchase by the Original Purchaser. It is suggested that the Original Purchaser retain a copy of the dated bill of sale as proof of the date of purchase.
- This Warranty covers only specified parts which shall be free from defects in material and workmanship under normal use. This Warranty does not cover conditions unrelated to the material and workmanship of the product. Such unrelated conditions include, but are not limited to (a) faulty installation and any damage resulting from such; (b) the need for normal maintenance and any damage resulting from the failure to provide such maintenance; (c) failure to follow Manufacturer's instructions for use of this product, and (d) any accident to, or misuse of, any part of this product and any alteration by anyone other than the Manufacturer or its authorized representative.
- In order to obtain the benefits of this Warranty, you should return the product which you find defective to the Manufacturer named below during the period that this Warranty is in effect. All charges incurred in delivery of the product to the Manufacturer, and in picking it up after the Warranty service has been completed, must be paid by the Original Purchaser.
- Any item returned in the manner described in paragraph 4 will be examined by the Manufacturer. If it is found that the returned item was defective in material or workmanship, the Manufacturer will repair it without charge for material and labor.
- Ultra-Fab will pay freight on replacement parts during the first 90 days of ownership by the Original Purchaser.
- The Manufacturer does not authorize any person or company to create any Warranty obligation or liability on their behalf.
- **IN NO EVENT SHALL THE MANUFACTURER BE LIABLE FOR INCIDENTAL OR CONSEQUENTIAL DAMAGES. SOME STATES DO NOT ALLOW THE EXCLUSION OR LIMITATION OF INCIDENTAL OR CONSEQUENTIAL DAMAGES SO THE ABOVE LIMITATION OR EXCLUSION MAY NOT APPLY TO YOU.**
- **ANY IMPLIED WARRANTY, INCLUDING THE IMPLIED WARRANTY OF MERCHANTABILITY AND FITNESS FOR ANY PURPOSE, IS LIMITED TO THE DURATION OF THIS LIMITED WARRANTY. SOME STATES DO NOT ALLOW LIMITATIONS ON HOW LONG AN IMPLIED WARRANTY LASTS, SO THE ABOVE LIMITATION MAY NOT APPLY TO YOU.**
- **THIS WARRANTY GIVES YOU SPECIFIC LEGAL RIGHTS, AND YOU MAY ALSO HAVE OTHER RIGHTS WHICH VARY FROM STATE TO STATE.**

Ultra-Fab Products, Inc.

57985 SR 19 S., Elkhart, IN 46517

Tel: (574) 294-7571 Fax: (574) 294-4980

www.ultra-fab.com

REGISTER YOUR PRODUCT

Please visit our website www.ultra-fab.com
click on the **WARRANTY** tab and select **REGISTER YOUR WARRANTY**.

As a registered ULTRA-FAB customer, you'll be able to:

- Stay informed of new products, announcements, and special offers.
- Get faster updates and news by including your email address.