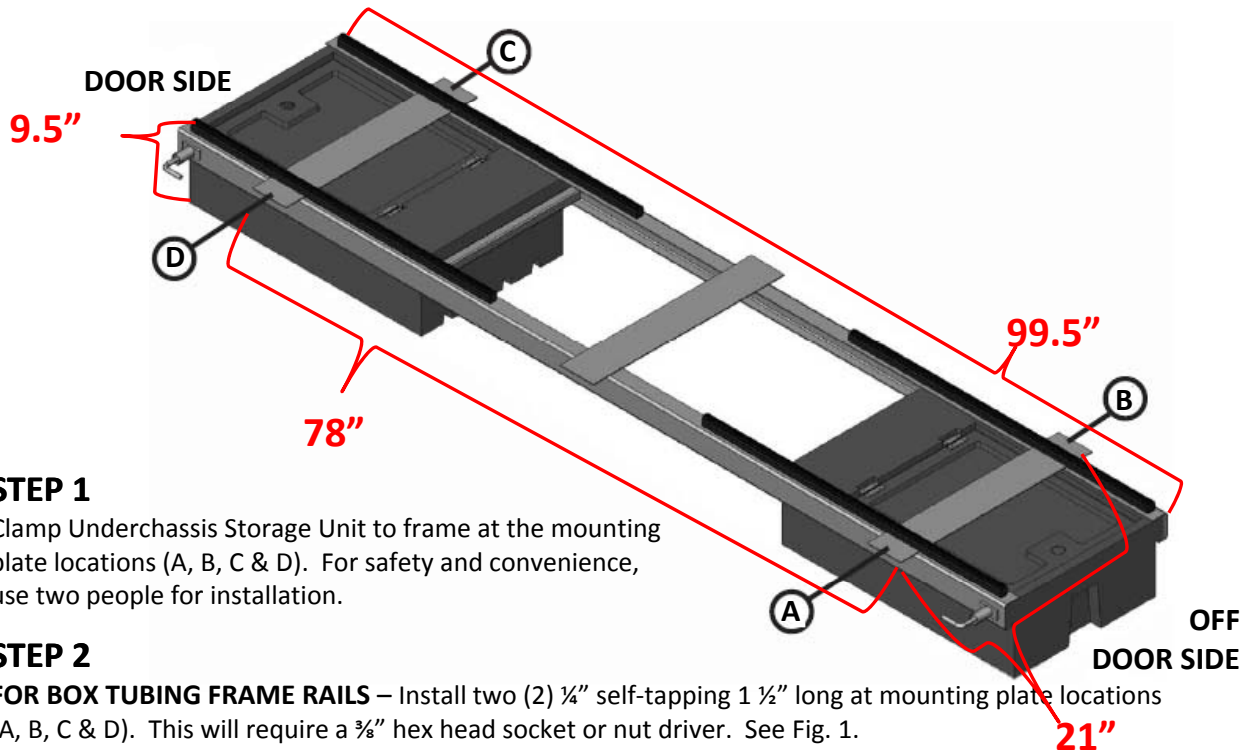




Ultra-Fab Products, Inc.

UNDERCHASSIS STORAGE UNIT INSTALLATION GUIDE



STEP 1

Clamp Underchassis Storage Unit to frame at the mounting plate locations (A, B, C & D). For safety and convenience, use two people for installation.

STEP 2

FOR BOX TUBING FRAME RAILS – Install two (2) $\frac{1}{4}$ " self-tapping $1\frac{1}{2}$ " long at mounting plate locations (A, B, C & D). This will require a $\frac{3}{8}$ " hex head socket or nut driver. See Fig. 1.

FOR C-CHANNEL or I-BEAM FRAMES – Drill $\frac{9}{32}$ " hole through mounting plate (if not present) and frame at mounting plate locations (A, B, C & D). Install $\frac{1}{4}$ " – 20 – 1" bolt from the top down through mounting hole just drilled. Install $\frac{1}{4}$ " lock washer and $\frac{1}{4}$ " – 20 hex nut and tighten. See Fig. 2.

STEP 3

Remove clamps.

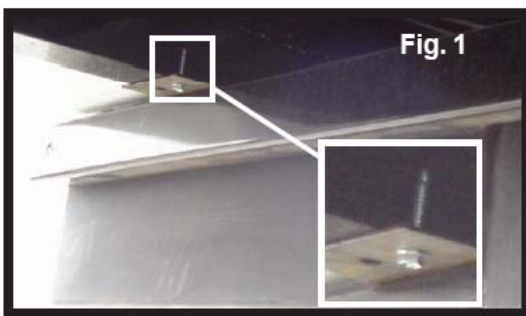


Fig. 1

HARDWARE INCLUDED

For Box Tubing Frame Rail Application
Qty 8 – $\frac{1}{4}$ " x $1\frac{1}{2}$ " Self-tapping screw

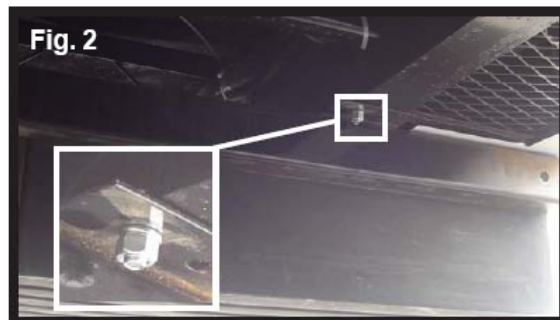


Fig. 2

HARDWARE INCLUDED

For C-Channel or I-Beam Frame Application
Qty 4 – $\frac{1}{4}$ " Locking washer
Qty 4 – $\frac{1}{4}$ " – 20 x 1" Hex head bolt
Qty 4 – $\frac{1}{4}$ " – 20 Hex nut